

Steel FFB3425BSS Black Stainless Steel

Steel collection faucets blend the modern look and inherent sturdiness of solid stainless steel and are perfect for today's hard-working kitchens.

FEATURES

- Solid 304 stainless steel construction delivers corrosion resistance inside and out
- 360-degree swivel spout provides a full range of motion to reach almost any area of the sink
- Single handle effortlessly controls water temperature and pressure
- ADA Compliant
- Pair with other faucets in the Franke Steel series for a consistent look throughout the kitchen

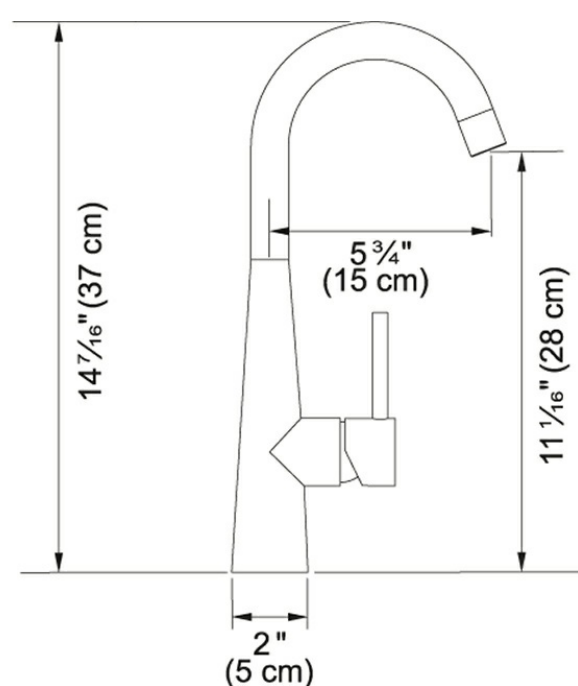
Product Picture



Product Information

Version	Arc Spout
Spray Type	Full Stream
Faucet Operation	Side Lever
Flow Rate	1.75 gpm
Cartridge	Ceramic Cartridge
Where to buy	Showroom
Countertop hole diameter	1 3/8"

Technical Drawing



Article Numbers

FUN#	115.0619.308
US Part Number	FFB3425BSS

